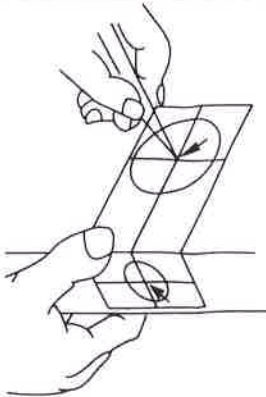
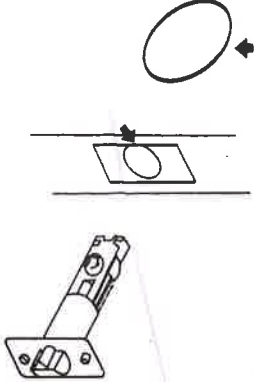
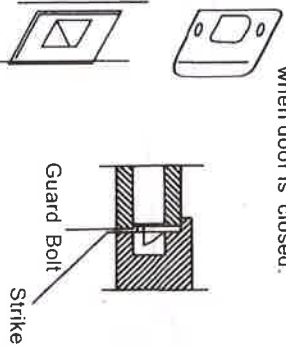
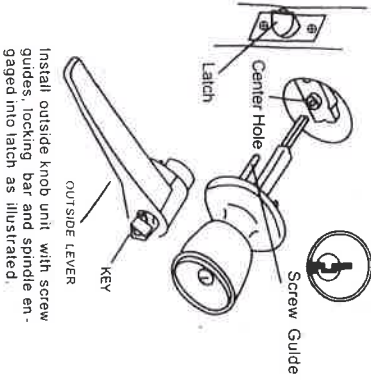
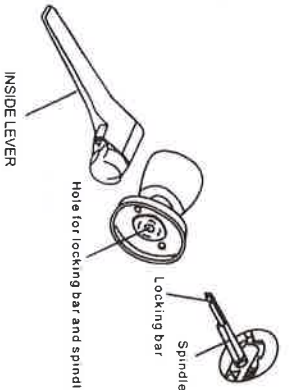
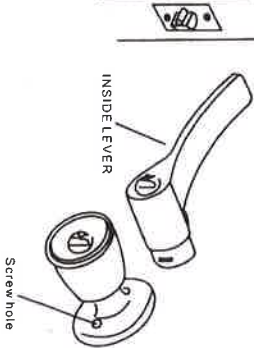


INSTALLATION INSTRUCTIONS OF TUBULAR LOCKSET

<p>1 MARK DOOR</p> <p>Mark height line across edge of door. Fold template over edge of door, centering on height line. Mark centers of 7/8" (23 mm) dia, latch hole and 2 1/8" (54 mm) dia, lockset hole.</p> 	<p>2 BORE TWO HOLES</p> <p>Bore 2 1/8" (54 mm) dia, hole through door.</p>  <p>Bore 7/8" (23 mm) dia, hole into edge of door at point marked on template. Cut out for latch front and install latch unit.</p>	<p>3 INSTALL STRIKE</p> <p>Guard Bolt stops against strike, as illustrated, preventing forcing when door is closed.</p>  <p>Cut out jamb for box strike.</p>
<p>4 INSTALL OUTSIDE KNOB UNIT</p> <p>Key hole should be in down position.</p>  <p>Install outside knob unit, with screw guides, locking bar and spindle engaged into latch as illustrated.</p>	<p>5 INSTALL INSIDE KNOB UNIT</p> <p>Engage screw guides, locking bar and spindle into inside unit.</p> 	<p>Insert screws and tighten securely.</p> 
<p>INSTRUCTIONS FOR ADJUSTABLE LATCH</p>		
<p>For the adjustable latch, latch hole should be 1" (25mm) dia, and according to centers of drilled 2 1/8" (54mm) dia, lockset hole. For either 2 3/8" (60mm) or 2 3/4" (70mm) backset. The method of adjustment is illustrated below:</p> <p>① The turning wheel is pushed fully to the left for 2 3/8" (60mm) backset. ② The turning wheel is pulled fully to the right for 2 3/4" (70mm) backset.</p>		
<p>NOTE: During the adjustment as above, keeping two teeth of the turning wheel to forward first.</p> 